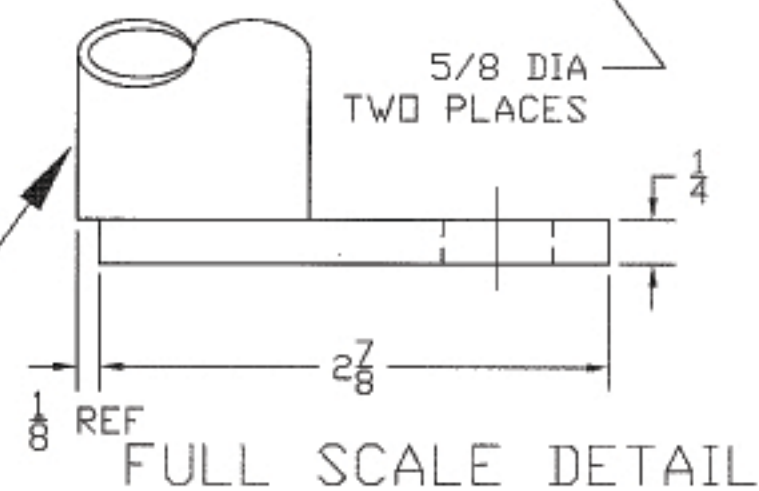
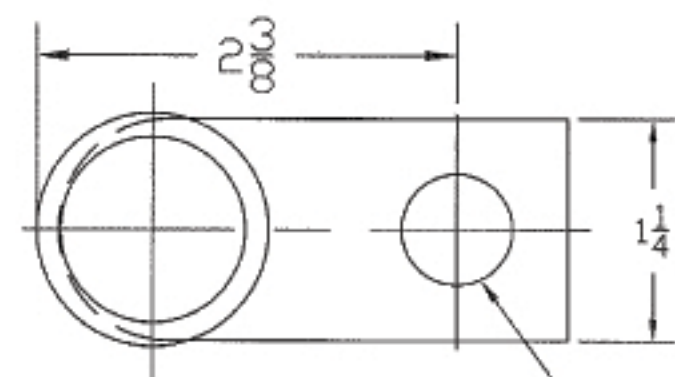
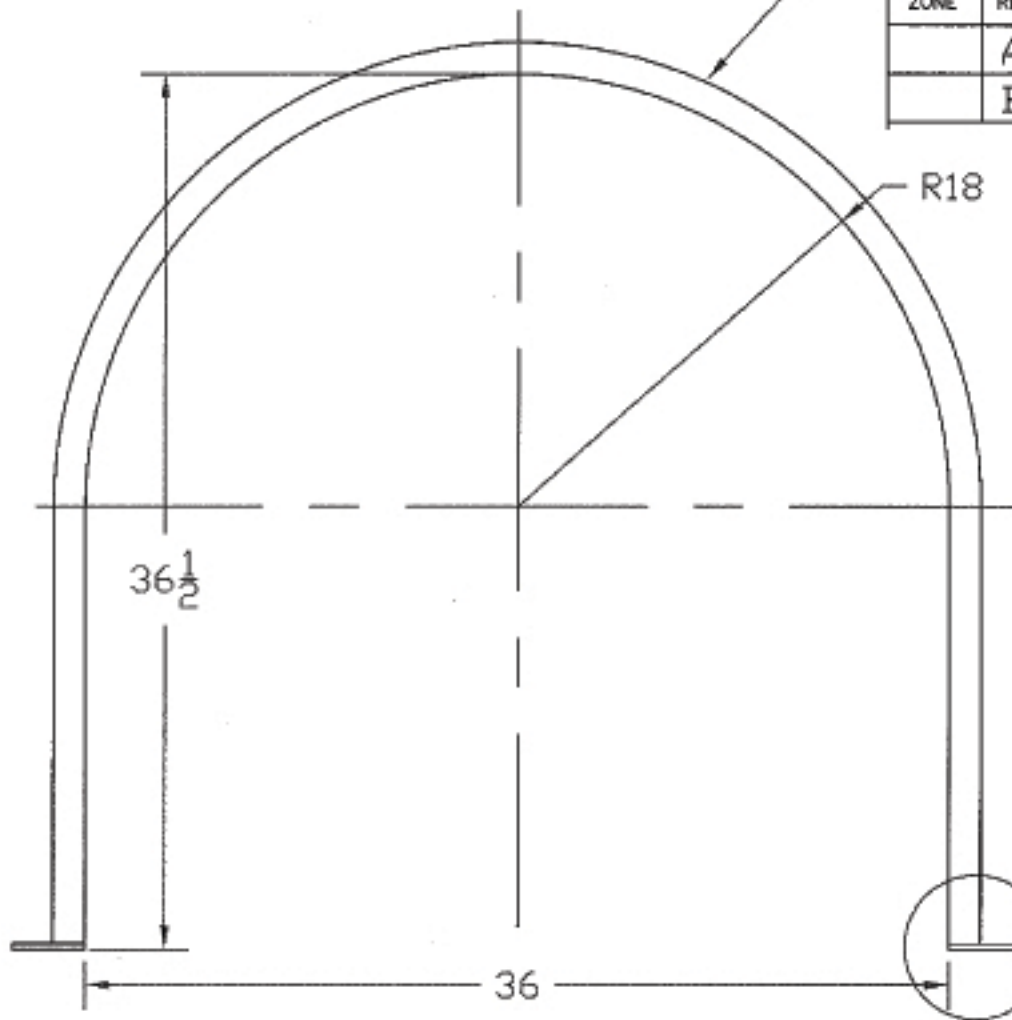


1" PIPE (1.31" OD) W/ .120" WALL

REVISIONS				
ZONE	REV	DESCRIPTION	DATE	APPROVED
	A	REDRAWN	10SEP97	
	B	REVISED & REDRAWN	14JAN04	



NOTE: WELD WITH LOW HYDROGEN ROD

FINISH: HOT DIPPED GALVANIZED

THIS DRAWING MODIFIED WITH
NARROWER FOOT.



BAND 225 GALLON
HORIZONTAL TANKS

JTP	14JAN04	SIZE A	FSCM NO.	DWG NO.	REV B
SCALE 1/8			SHEET		